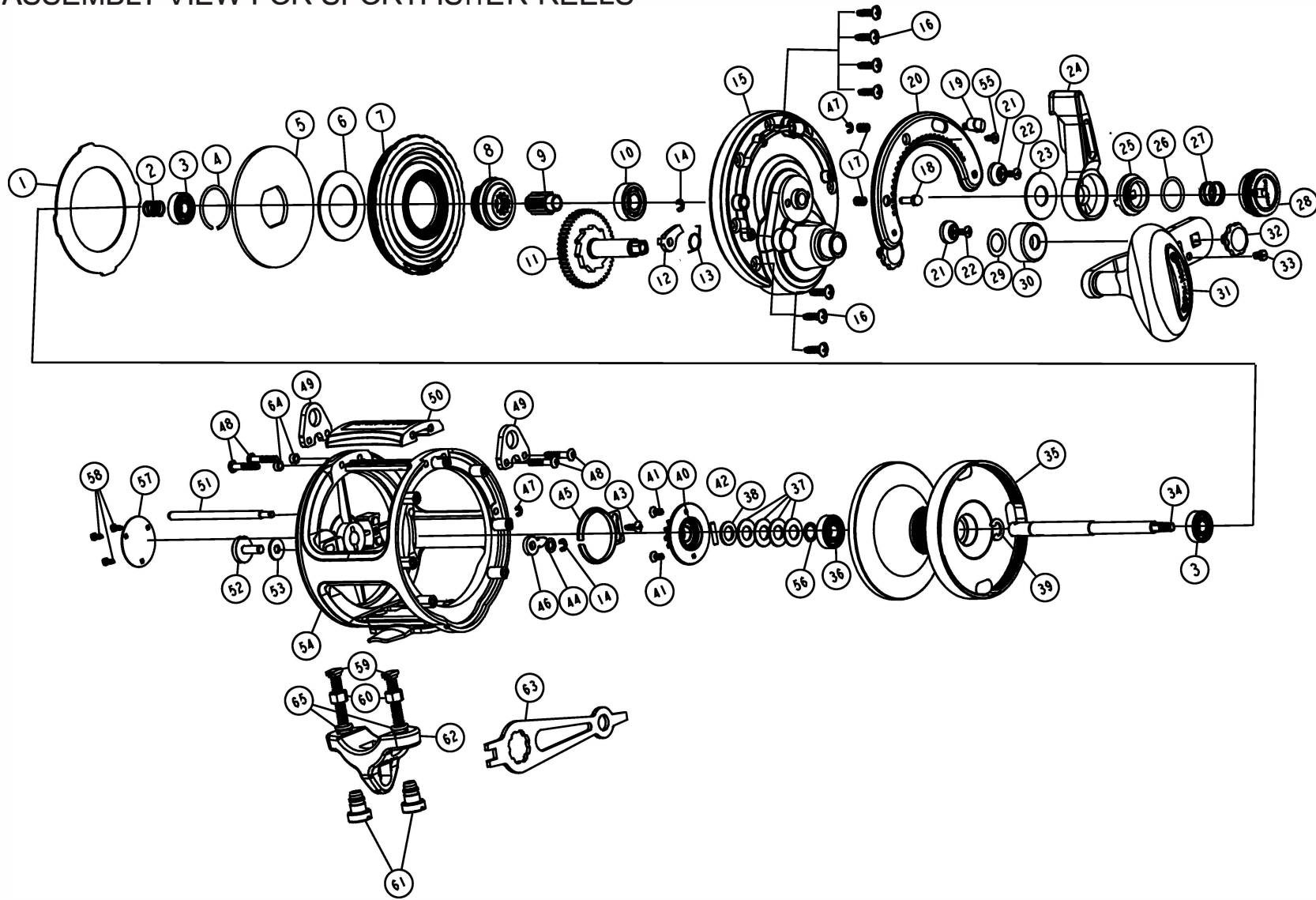


ASSEMBLY VIEW FOR SPORTFISHER REELS

SLD20, SLD25  
 BLD20, BLD25



Key No.	Description	Part No. SLD20	SLD25	BLD20	BLD25
1	Drag Disc	XF059-01	↔	↔	↔
2	Pressure Release Spring	XF040-01	↔	↔	↔
3	Ball Bearing	BF017-01	↔	↔	↔
4	Ring	XF080-01	↔	↔	↔
5	Drag Washer	XF045-01	↔	↔	↔
6	Spring Washer	XF046-01	↔	↔	↔
7	Spool Cover Assembly	XF351-01	↔	↔	↔
8	Pinion Holder	XF129-01	↔	↔	↔
9	Pinion Gear	XF011-01	↔	↔	↔
10	Ball Bearing	XF058-01	↔	↔	↔
11	Drive Gear Assembly	XF312-01	↔	↔	↔
12	Anti Reverse Pawl	XF063-01	↔	↔	↔
13	Pawl Spring	XF096-01	↔	↔	↔
14	E-Clip	NX090-01	↔	↔	↔
15	Side Cover Assembly	YF324-01	↔	↔	↔
16	Tapping Screw	XF076-02	↔	↔	↔
17	Spring	XF022-01	↔	↔	↔
18	Locating Pin	XF041-01	↔	↔	↔
19	Strike Button	XF062-01	↔	↔	↔
20	Quadrant	XF152-01	↔	↔	↔
21	Locating Collar	XF088-01	↔	↔	↔
22	Tapping Screw	ZW125-02	↔	↔	↔

Key No.	Description	Part No. SLD20	SLD25	BLD20	BLD25
23	Washer	XF038-01	↔	↔	↔
24	Drag Lever Assembly	YF355-01	↔	↔	↔
25	Cam	XF028-01	↔	↔	↔
26	O-Ring	XF101-01	↔	↔	↔
27	Coil Spring	YF040-01	↔	↔	↔
28	Pre Set Knob Assembly	XF329-01	XF329-02	XF329-03	XF329-03
29	Washer	XF035-01	↔	↔	↔
30	Cap	XF145-01	↔	↔	↔
31	Handle Assembly	YF318-01	↔	↔	↔
32	Handle Nut	XF003-01	↔	↔	↔
33	Screw	CF065-01	↔	↔	↔
34	Spool Shaft	XF015-01	YF015-01A	XF015-01	YF015-01A
35	Spool	XF021-01	YF021-01A	XF021-01	YF021-01A
36	Ball Bearing	KF017-01	↔	↔	↔
37	Drag Spring	JF046-01	↔	↔	↔
38	Washer	CF121-01	↔	↔	↔
39	E-Clip	DF092-01	↔	↔	↔
40	Ratchet Holder Assembly	YF329-01	↔	↔	↔
41	Screw	TW107-02	↔	↔	↔
42	Spool Shaft Pin	DF093-01	↔	↔	↔
43	Screw	QW125-03	↔	↔	↔
44	Washer	CF035-01	↔	↔	↔

Key No.	Description	Part No. SLD20	SLD25	BLD20	BLD25
45	Click Spring Plate	DF022-01	↔	↔	↔
46	Bait Click Pawl	DF109-01	↔	↔	↔
47	E-Clip	NX090-01	↔	↔	↔
48	Screw	XF123-01	↔	↔	↔
49	Harness Lug	XF151-01	↔	↔	↔
50	Cross Bar Assembly	XF327-01	YF327-01	XF327-02	YF327-02
51	Line Guard	XF004-01	YF004-01	XF004-01	YF004-01
52	Bait Click Lever	XF109-01	↔	↔	↔
53	Washer	CF032-01	↔	↔	↔
54	Frame Assembly	XF301-01	YF301-01	XF301-02	YF301-02
55	Tapping Screw	QW107-01	↔	↔	↔
56	Washer	XF032-01	↔	↔	↔
57	Medallion	RF169-01	↔	↔	↔
58	Tapping Screw	XF053-01	↔	↔	↔
59	Rod Clamp Bolt	CF125-01	↔	↔	↔
60	Nut	JF003-01	↔	↔	↔
61	Rod Clamp Nut	CF161-01	↔	↔	↔
62	Rod Clamp	XF154-01	↔	↔	↔
63	Wrench Driver	XF113-01	↔	↔	↔
64	Spacer	XF094-01	↔	↔	↔
65	O-Ring	LF101-01	↔	↔	↔



6101 E. Apache • Tulsa, OK 74115  
(800) 588-9030  
www.finnorffishing.com

ZS3168

Maintenance Notes: \_\_\_\_\_ Serial Number: \_\_\_\_\_ Purchase Date: \_\_\_\_\_



**BLD20/25 SLD20/25**

**PARTS LIST AND ASSEMBLY VIEW**